

# REL-MR- 24DC/ 1IC

Order No.: 2961341



<http://eshop.phoenixcontact.de/phoenix/treeViewClick.do?UID=2961341>

Pluggable miniature relays, with power contact for lamp loads and capacitive loads, 1 N/O contact, input voltage 24 V DC

Commercial data	
EAN	4017918187569
Pack	10 pcs.
Customs tariff	85364190
Weight/Piece	0.014835 KG
Catalog page information	Page 81 (IF-2007)

### Product notes

WEEE/RoHS-compliant since:  
04/11/2006



<http://www.download.phoenixcontact.com>  
Please note that the data given here has been taken from the online catalog. For comprehensive information and data, please refer to the user documentation. The General Terms and Conditions of Use apply to Internet downloads.

## Technical data

Coil side	
Nominal input voltage $U_N$	24 V DC
Input voltage range in reference to $U_N$	(refer to the diagram)
Nominal input current at $U_{IN}$	17 mA
Typical response time	8 ms

Typical release time	3 ms
Coil resistance	1440 Ω ± 10% (at 20°C)

**Contact side**

Contact type	Single contact, 1 N/O contact
Contact material	AgSnO
Maximum switching voltage	250 V AC/DC
Minimum switching voltage	12 V
Maximum inrush current	80 A (20 ms)
	130 A (peak, at capacitive load, 230 V AC, 24 μF)
Min. switching current	100 mA
Limiting continuous current	16 A
Interrupting rating (ohmic load) max.	80 W (for 220 V DC)
	50 W (for 110 V DC)
	48 W (for 60 V DC)
	58 W (for 48 V DC)
	384 W (for 24 V DC)
	4000 VA (for 250 V AC)

**General data**

Length	29 mm
Height	15.7 mm
Width	12.7 mm
Test voltage relay winding/relay contact	5 kV AC (50 Hz, 1 min)
Ambient temperature (operation)	-40 °C ... 85 °C
Ambient temperature (storage/transport)	-40 °C ... 85 °C
Operating mode	100% operating factor
Service life mechanical	3 x 10 <sup>7</sup> cycles
Standards/regulations	IEC 60664
	IEC 60664 A
	DIN VDE 0110
	DIN VDE 0106-101
	DIN EN 50178/DIN VDE 0160 (in relevant parts)
	IEC 60255/DIN VDE 0435 (in relevant parts)
	EN 60730/DIN VDE 0631
Pollution degree	3

Surge voltage category	III
Mounting position	Any
Assembly instructions	Can be aligned without spacing ( $> 70\text{ °C} \geq 2.5\text{ mm}$ )

**Certificates / Approvals**

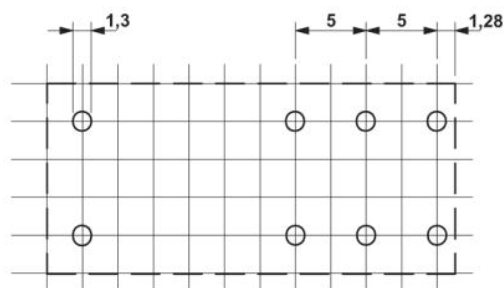


Certification

CUL, GL, GOST, UL, VDE-PZI

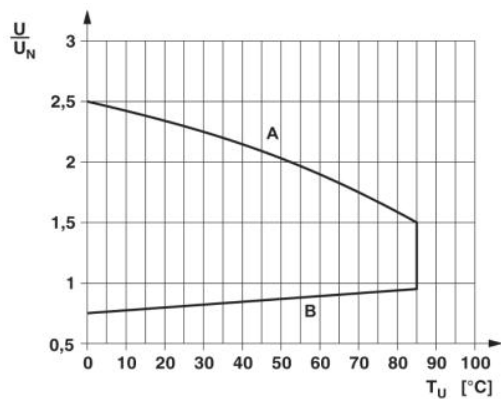
**Drawings**

Drilling diagram



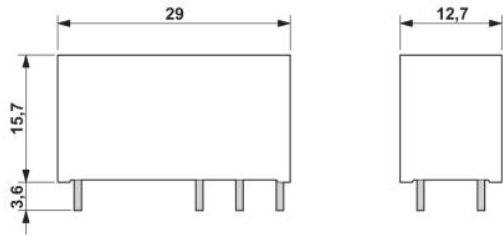
a = pitch division 2.5 mm

Diagram



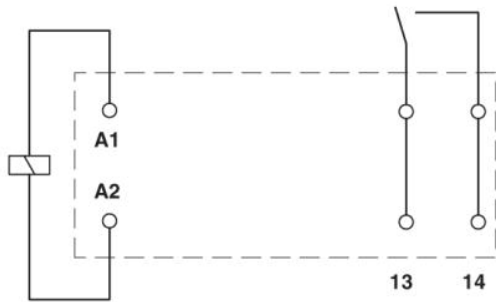
Dimensioned drawing

---



Circuit diagram

---



**Address**

PHOENIX CONTACT UAB  
Svitrigailos Str. 11b  
03228 Vilnius, LITHUANIA  
Phone +370 5 2106321  
Fax +370 5 2106324  
<http://www.phoenixcontact.lt>



© 2009 Phoenix Contact  
Technical modifications reserved;